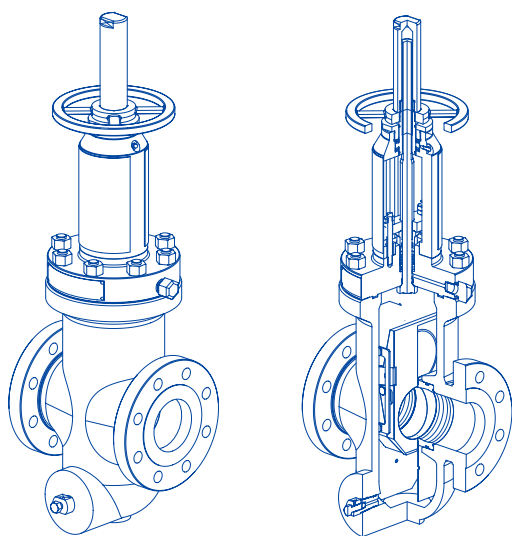


THROUGH CONDUIT EXPANDING GATE VALVE

Through Conduit Expanding Gate Valves for Onshore Applications



BEL Valves' Through Conduit Expanding Gate Valve enables double block and bleed (DBB) functionality to be achieved within one single valve assembly as opposed to the two conventional slab gates that would otherwise be required. The benefits include an overall cost, size and weight reduction in addition to an ability to configure the valve to seal in either the closed position (single expanding) or open and closed position (double expanding). Further options ensure a fit-for-purpose solution is delivered to suit application demands.

BENEFITS

- Corrosion resistant
- Fast closure
- Fire safe
- Gas tight sealing
- Inherently fail safe

APPLICATIONS

Boarding skid, FPSO, HP/HT, isolation, pipeline, production platform, onshore receiving terminal.

SPECIFICATIONS

Pressure rating	ANSI 150 to 2,500 API 2,000 to 20,000 psi
Temperature	-100°C to +190°C
Bore sizes	½" to 56"+
Material options	Carbon steel, low alloy steel, stainless steel, duplex, super duplex and inconel
Actuation	Manual, hydraulic (FSC, FAI, FSO), electric
Standards	API 6A, API 6D, API 6AV1, ISO 10423, ISO 14313

CONFIGURATIONS

- Cast, forged or fabricated body
- Double block and bleed (DBB)
- Full or reduced bore
- Metal-to-metal or soft sealing
- Single (seal closed) or double (seal open and closed) expanding
- Uni-directional or bi-directional sealing
- Various end connection options

FEATURES

- On-off
- Rising stem (outside screw)
- Tungsten carbide hard facing