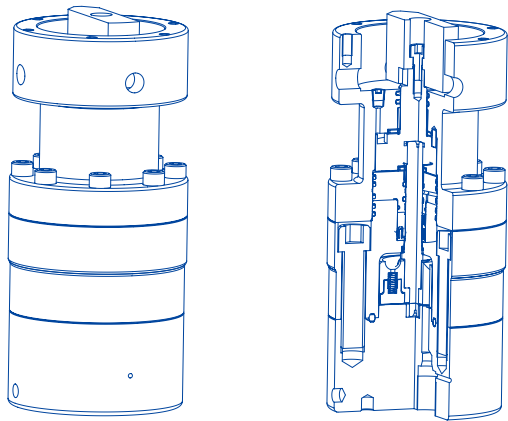


ROTARY DISC VALVE

Rotary Disc Valves for Subsea Applications



BEL Valves' Rotary Disc Valve is offered as a small bore solution to facilitate chemical injection and/or hydraulic supply, when desired, on production manifolds. The design premise is based upon simplicity and robustness for assurance of successful operation even when installations extend to the most hostile of environments.

BENEFITS

- Compact design
- Corrosion resistant
- Fast closure
- Gas tight sealing

APPLICATIONS

Chemical injection, HP/HT, hydraulic supply, manifold, xmas tree.

SPECIFICATIONS

Pressure rating	Up to 16,500 psi
Temperature	-100°C to +190°C
Water depth	To 4,500m
Bore sizes	1/2
Material options	Super duplex and inconel
Actuation	Manual, ROV, hydraulic
Standards	API 6A, API 6D, API 6D SS, API 17D, API 6AV1, ISO 10423, ISO 13628, ISO 14313, ISO 14723

CONFIGURATIONS

- Manifold mounted
- Various end connection options

FEATURES

- Forged body
- Metal-to-metal sealing
- On-off
- Tungsten carbide hard facing